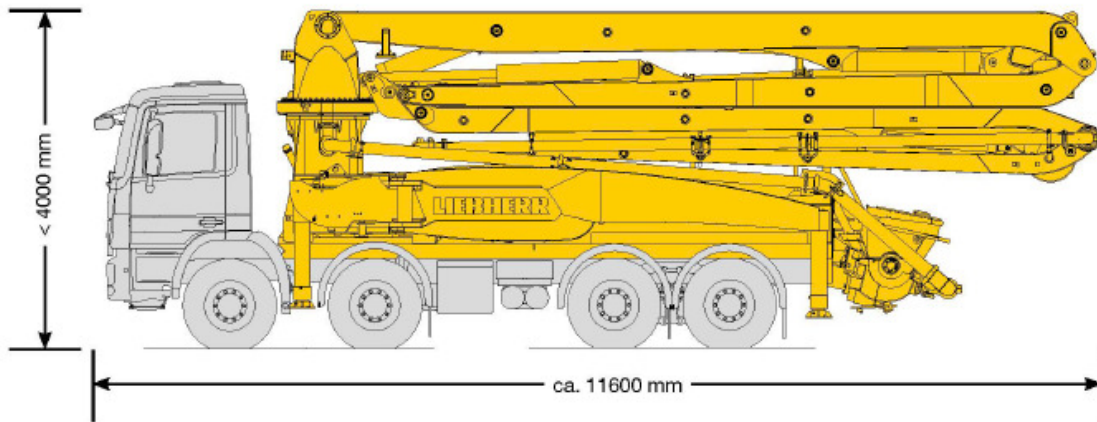


## Autobetonpumpe Mast 37 m Liebherr



$F = 200 \text{ kN}$

$F = 200 \text{ kN}$

